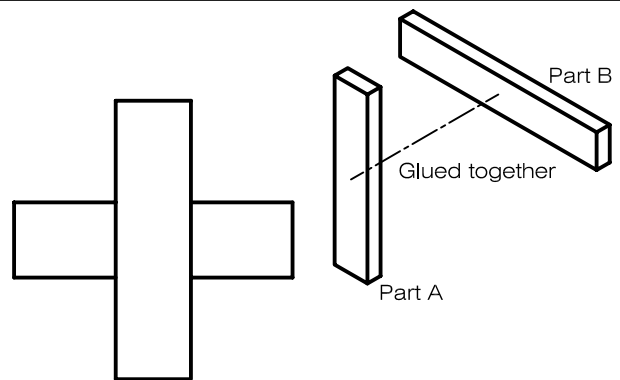
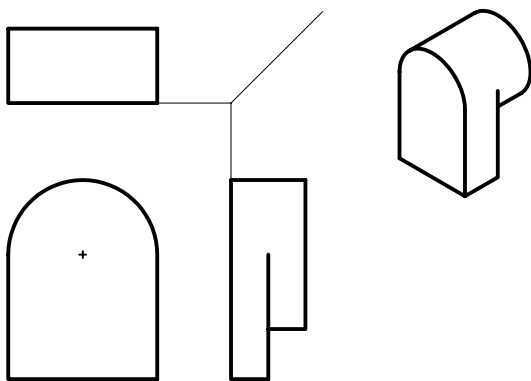
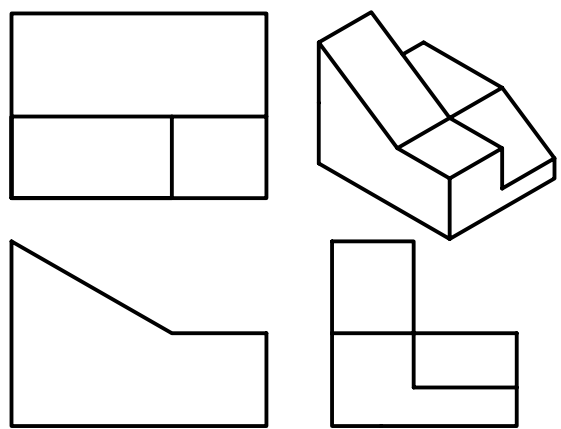
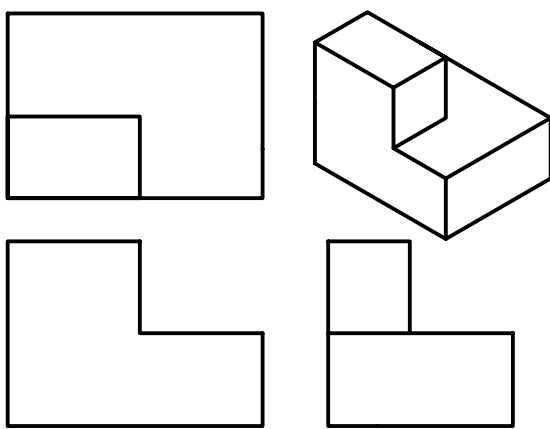
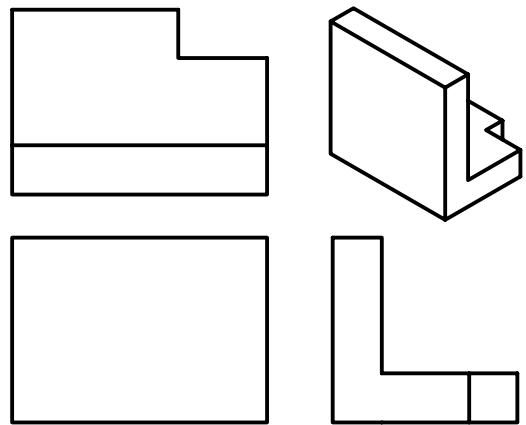
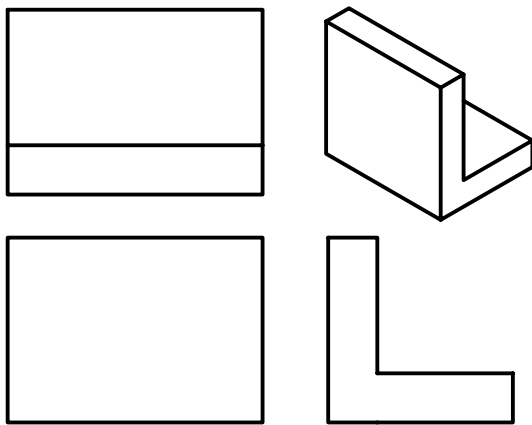
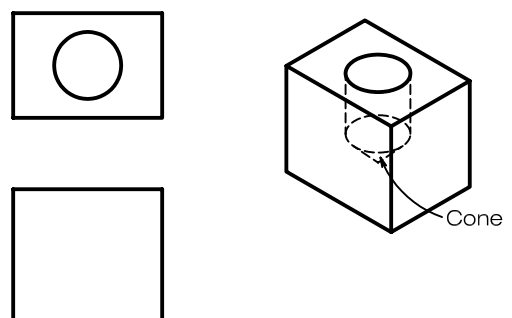
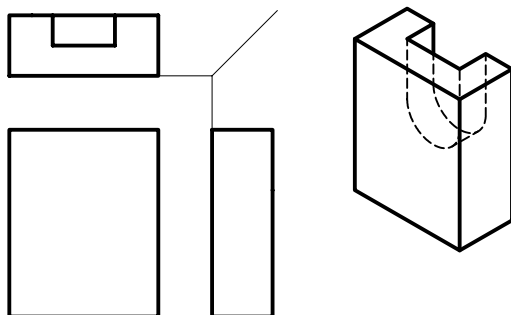


Complete the given orthographic drawings with a missing dash line(s).



Complete the view by adding the center lines.



1. End position of the slot can be freely specified.
2. Complete the view by adding the center lines.

1. End position of the hole can be freely specified.
2. Complete the view by adding the center lines.